

INSTALLATION INSTRUCTIONS FOR ULTRA-LIGHT CARBON TT/TRI RACE LEVER

IMPORTANT:

The brake levers are compatible with caliper brakes and Aero style handlebars or Bull Horn handlebars.

The fit range for handlebar's inside diameter is 18.9-20.6 mm depend by your handlebar's inside to wear the shim sleeve on or not necessary.

After installation test your brake system at slow speeds before normal use.

If you are unsure about any part the installation and set up of these brake levers, consult a qualified mechanic or our local bike dealer.

It is not liable for damage or injury as a result of improper installation or use

CAUTION:

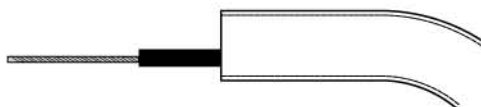
It is necessary to install a brake cable ferrule onto the cable housing to allow the inner cable through to the lever & handlebar smoothly. It is important that you contact the handlebar manufacturer or refer to the handlebar installation instructions before brake levers are installed for carbon fiber handlebars.

TOOLS YOU'LL NEED:

4 mm Allen Key – for mounting bolts

A - Through the cable housing on the outside of handlebar

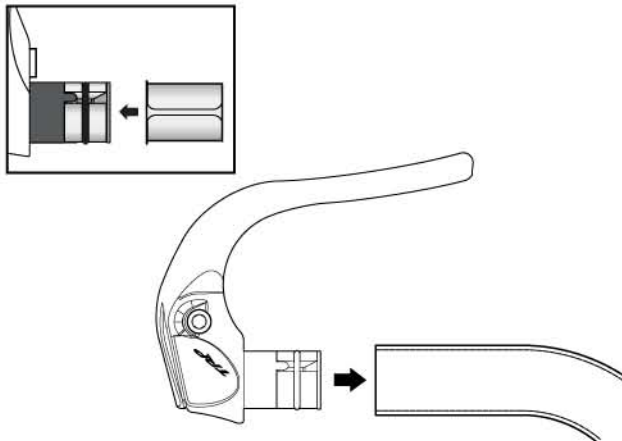
Through the cable housing on the outside of handlebar about 10-20 mm long and make sure the ferrule is attached.



B - Place the expanding wedge plug into the handlebar

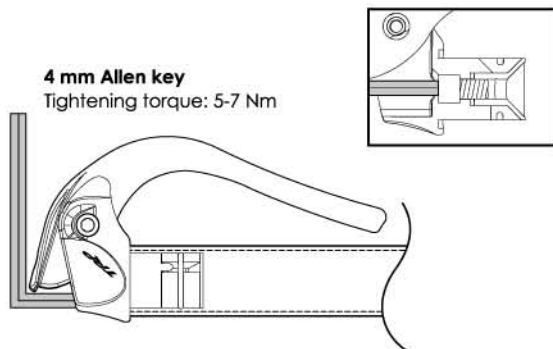
Place the expanding wedge plug into the internal portion of the handlebar and make sure the ferrule is contact to the center of the hole.

If you feel some tolerance between the handlebar's inside diameter with the expanding wedge plug then put the shim sleeve on the expanding wedge plug please.



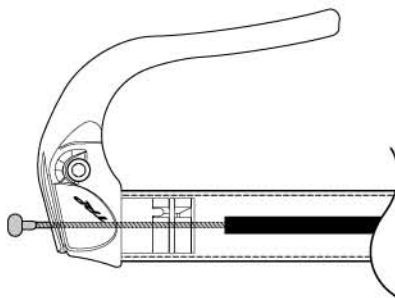
C - Depress the lever to the end

Before tightening, position and angle the lever to a comfortable and convenient position to the end of the handlebars & depress the lever to the end until contact to the handlebar and hold it. Tighten the clamping bolt with a 4 mm Allen key by final tightening torque: 5-7 Nm



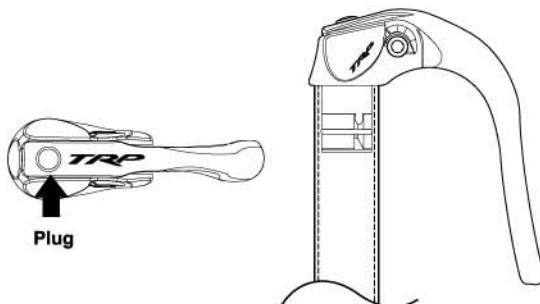
D - Insert the inner cable

Insert the inner cable through from the centre hold of the lever into the end until the nipple contact to the end of the lever.



E - Put the plug into the hole

Put the plug into the hole of the lever and push down to the end, then place the other end of the housing and runs to the brake.



QUESTIONS?

For questions about setup, usage or general inquiries, please e-mail or call toll free at:

TRP Brakes
info@trpbrakes.com
1-877-807-4162
www.trpbrakes.com