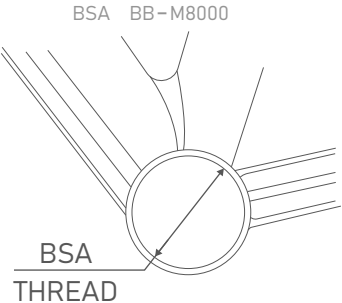







Determine the type of your BB shell	BB shell frame width	BB model	Fully assembled width	Non-drive side spacer usage	Drive side spacer usage	Use the following crankset
 BSA BB-M8000	68mm (MTN)		96mm	(Left Side) 1 x 2.5mm	(Right Side) 2 x 2.5mm	FC-M9050 FC-M8050
	73mm (MTN)		96mm	✕	1 x 2.5mm	FC-M9050 FC-M8050
	83mm (DH)		111mm	1 x 2.5mm	2 x 2.5mm	FC-M8070