

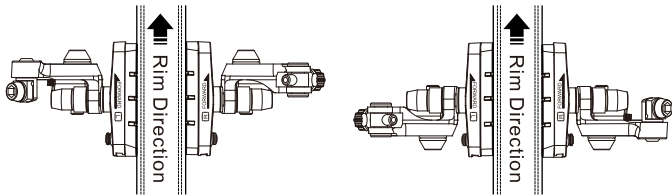
INSTALLATION INSTRUCTION

Cantilever Brakes

NOTE

For Front Wheel

For Rear Wheel

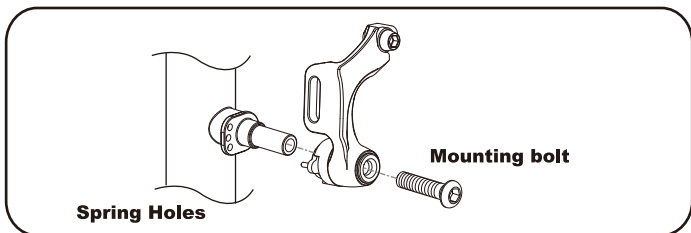
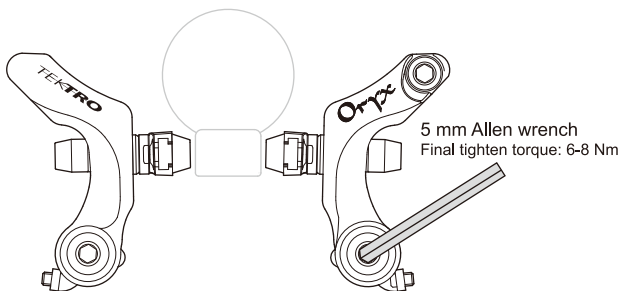


IMPORTANT:
The brake are compatible with cantilever brake levers.
Only drop-down handlebar / canti type levers should be use with this brakes.

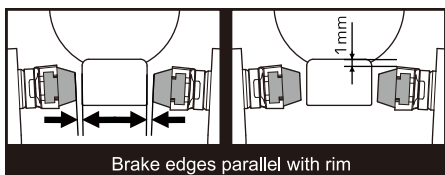
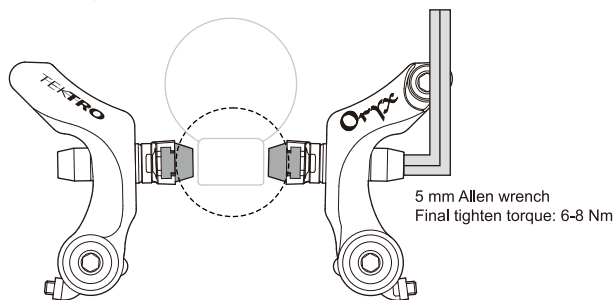
WARNING:
The brakes offer considerable braking power and require practice at slow speeds before normal use.
If you are unsure about any part the installation and set up of these levers, consult a qualified mechanic or your local bike dealer.

Tektro is not liable for damage or injury as a result of improper installation or use.

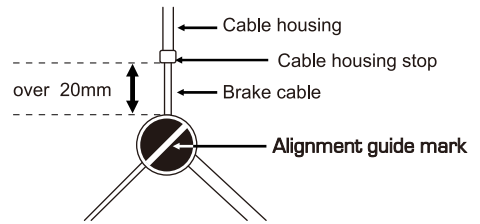
(1) Clean and grease frame and fork pivot bosses. Mount spring system, brake arm, and mounting bolt each pivot. Insert spring-base pin into the middle hole of the pivot boss. The linear spring should press against the spring stops on the brake arm. Insert the supplied mounting bolts through the hole in the brake and screw into the pivot boss. Tighten to a final torque of 6-8 Nm.



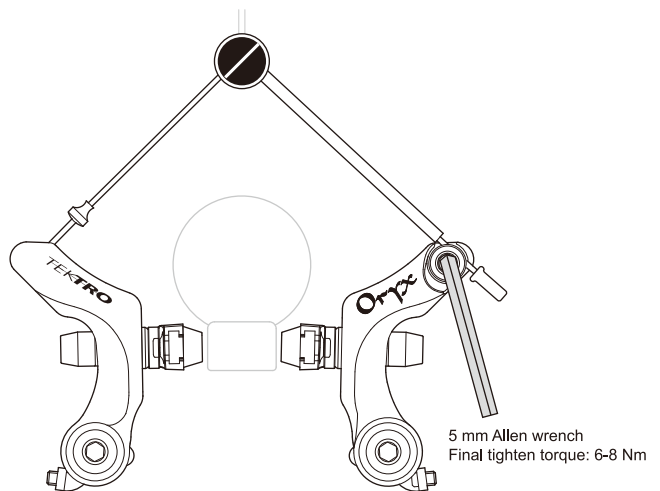
(2) With both pads pressed against the wheel rim check that the inside edges of the brake arms are approximately parallel with the rim. Ensure that the brake arms are not diving into the rim. Before finally tightening the brake pads on the brake arm, make sure they are aligned correctly on the rim, and there is a 1mm gap between the top of the rim and the top of the pad. Hold each pad against the rim(one at a time) and tighten the mounting nut. Tighten to a final torque of 6-8 Nm.



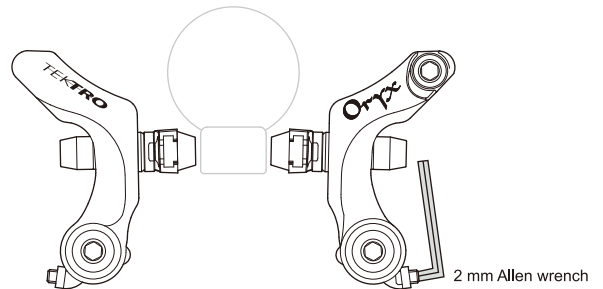
(3) Ensure that there is at least 20mm clearance between the end of the brake cable housing and the top of the link wire. Ensure that the that the left side of the link wire lines up with the alignment mark on the link wire head, and does not get curved. When the link wire is set up correctly, clip the brake cable into the locking notch at the top of the link wire head.



(4) Insert the end of the brake cable through the hold at the link wire nipple in the holder on the left brake arm. Insert the brake cable under the cable anchor bolt plate and slide it through so that the link wire guide tube is touching the brake arm. Tighten the cable anchor bolt to a tightening torque of 6-8Nm.



(5) Balance the brake arm by turning the spring tension adjusters. Depress the brake lever a few times while checking to see that the tension is equal on both arms. Pad/rim contact should occur simultaneously on each side. Do not set the tension too high.



A note about brake pads, All Tektro pads have grooves running up and down on the pad/rim contact surface. Once these grooves have been worn down so they are no longer visible, the pads should be replaced. Continued use past the wear line could result in damage to your rim and inferior braking performance.

