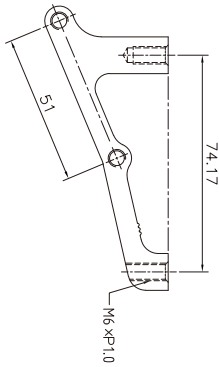
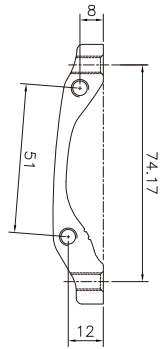


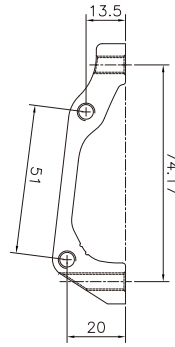
### AQ1.0 Series



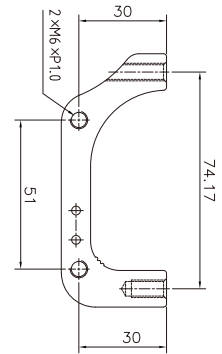
[A-1]F140



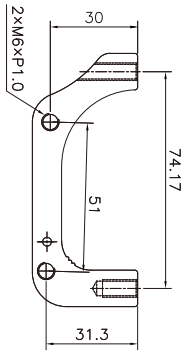
[A-2]F160



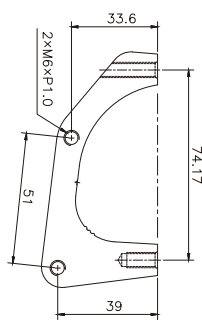
[A-3]R160



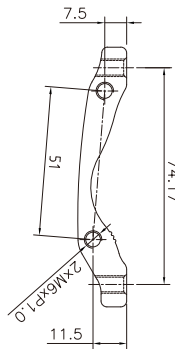
[A-4]AR180



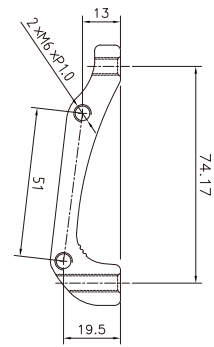
[A-5]F203



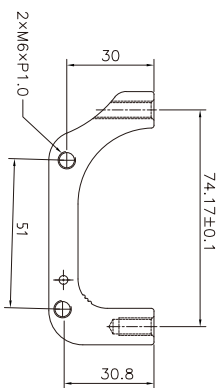
[I-4]R203



[A-8]F160(20mm)



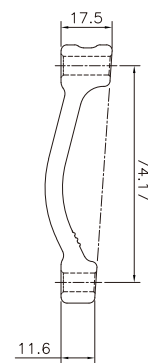
[A-9]F180(20mm)



[A-10]F203(20mm)



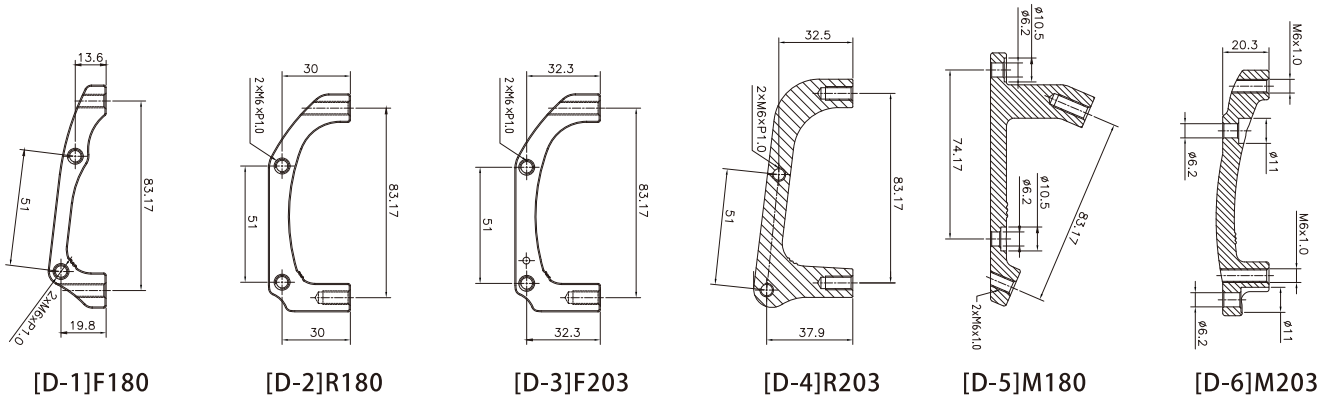
[A-11]M180-1



[A-12]M203-1

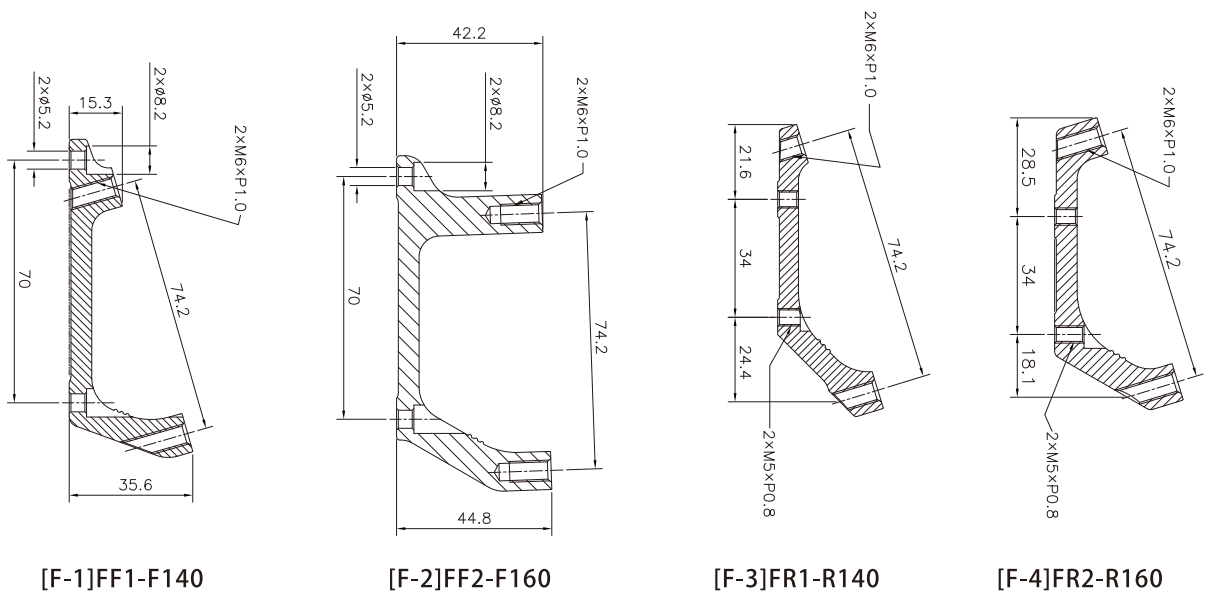
Rotor Size	Standard Front Fork	Standard Rear Fork	20mm Fork	Post Mount Fork
ø140 mm	A-1	A-2	-	-
ø160 mm	A-2	A-3	A-8	A-11
ø180 mm	A-3	A-4	A-9	A-11
ø203 mm	A-5	I-4	A-10	A-12

### DO4.0 Series (For HD-E710)

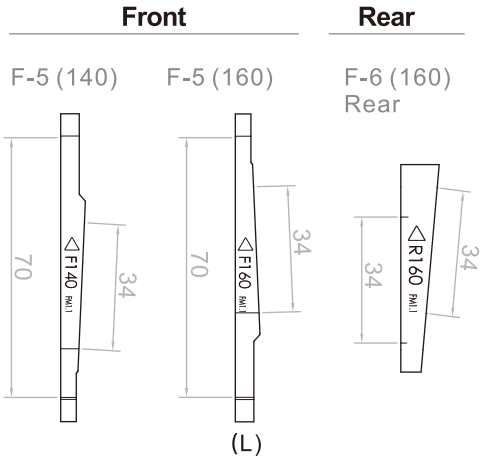


Rotor Size	Standard Front Fork	Standard Rear Fork	Post Mount Fork
ø140 mm	None	None	None
ø160 mm	None	None	None
ø180 mm	D-1	D-2	D-5
ø203 mm	D-3	D-4	D-6

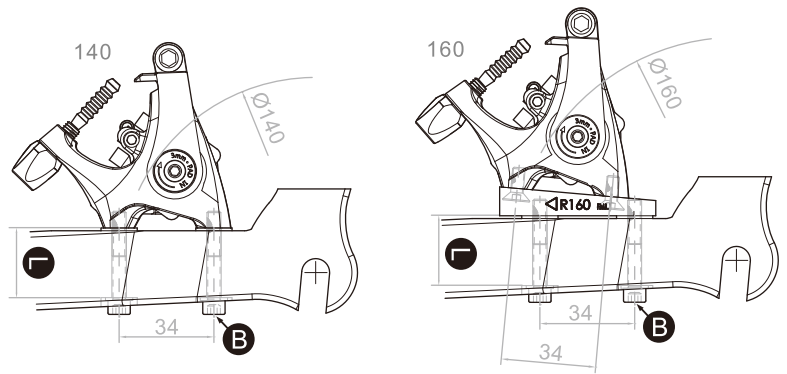
### Flat Mount / Post Mount Disc Brake



140mmF	FF1 / R - FR1
160mmF	FF2 / R - Fr2



### Bolt for Raer



### FLAT MOUNT w/ FM DISC BRAKE

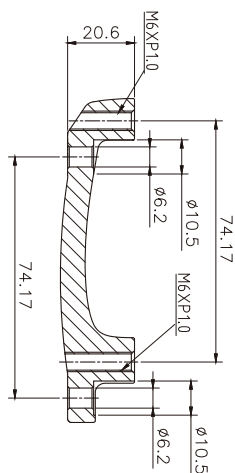
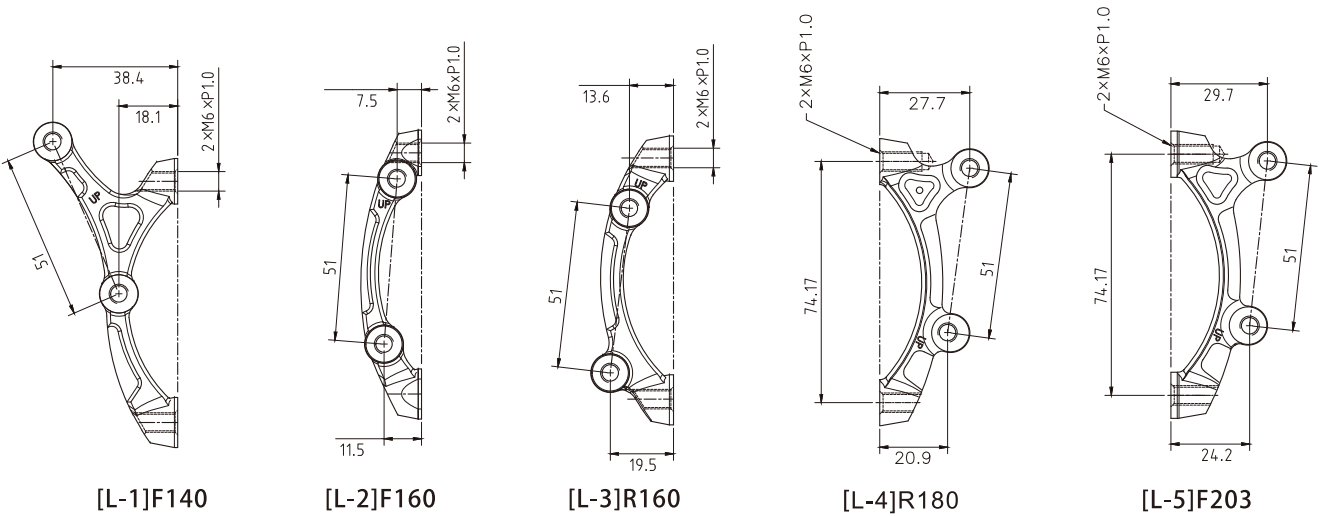
	140	160
Fork F70	F-5	F-5
Rear R34	-	F-6

### M5 BOLT FOR REAR

L	10	15	20	25	30	35
B	17mm	22mm	27mm	32mm	37mm	42mm

NOTE: B=L+ 7mm

### Lyra Series



[L-7]M203

Rotor Size	Standard Front Fork	Standard Rear Seat Stay
Ø140 mm	L-1	L-2
Ø160 mm	L-2	L-3
Ø180 mm	L-3	L-4
Ø203 mm	L-5	L-4