

INSTALLATION INSTRUCTION

HYDRAULIC ROAD DISC BRAKE SYSTEM

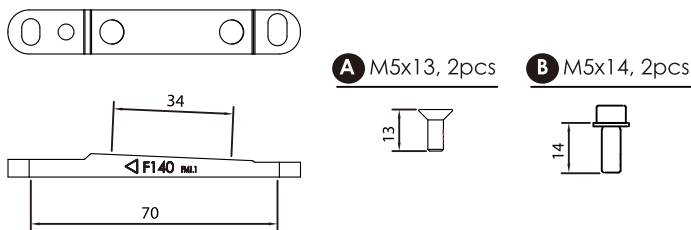
GENERAL WARNING & CAUTIONS

- Read instructions thoroughly before attempting any work on Tektro hydraulic disc brakes. It is highly recommended that you seek the service of an authorized Tektro Service Center or other qualified mechanic.
- Disc brake pads, calipers and rotors may become extremely hot when used. Serious injury could result from contact with a hot brake. Care should be taken not to touch the caliper or rotor while it is hot. Be sure to allow the brake to cool before attempting to service it in any way.
- Stop riding the bike immediately if the brake fluid is leaking or if there is an insufficient amount of brake fluid. Please seek a qualified mechanic to make the proper repairs. Continued operation with leaking brakes or insufficient brake fluid could result in a loss of braking power which may cause serious injury or death.
- Hydraulic disc brakes inherently offer considerable braking power. Care should be taking during operation to properly maintain control of the bicycle.
- Tektro hydraulic disc brakes are not designed to work with the bicycle upside down. The brake may not work correctly and a serious accident could occur. If the bicycle has been turned upside down, be sure to operate the brake lever a few times before riding to check that the brake operates normally.
- If you feel no resistance when squeezing the brake lever, immediately stop riding the bicycle and have the brake system checked by qualified bicycle mechanic.
- Before every ride : confirm the brake pad thickness is greater than 2.5mm (*Pad friction material & metal backing plate*).
- Pads and rotors must be kept clean and free of all contaminants including but not limited to oil, lubricants, hydraulic fluid and solvents.
- If the pads become contaminated with oil you must discard them and replace them with a new set. Rotors should be cleaned with isopropyl alcohol.
- The brake pads are specifically formulated to achieve optimum performance with the Tektro hydraulic disc brake system. Tektro does not guarantee performance with any non-Tektro brand brake pads.

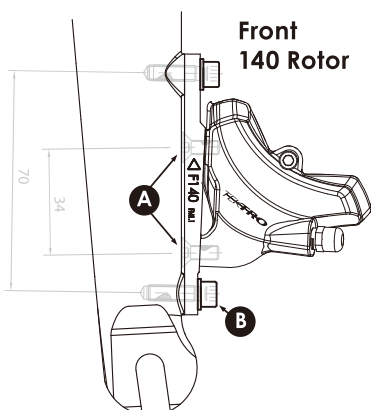
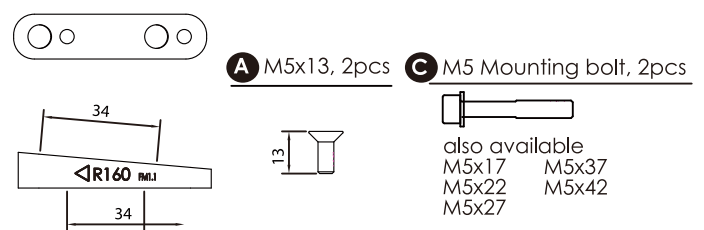
Tektro hydraulic disc brakes are warranted against manufacturing defects in materials and / or workmanship for a period of two years from the date of original retail purchase. Not covered under this warranty is damage resulting from improper installation, adjustment or maintenance, lack of maintenance, alterations, crashes or use judged by Tektro to be excessive or abusive. For warranty related questions or more information on the Tektro disc brake please contact a Tektro Service Center.

ADAPTER INSTRUCTION CHART

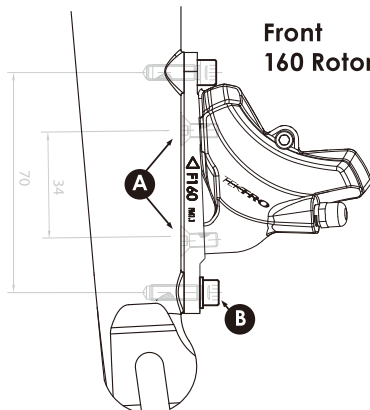
FM1.1 F140/F160 Adapter **F-5**



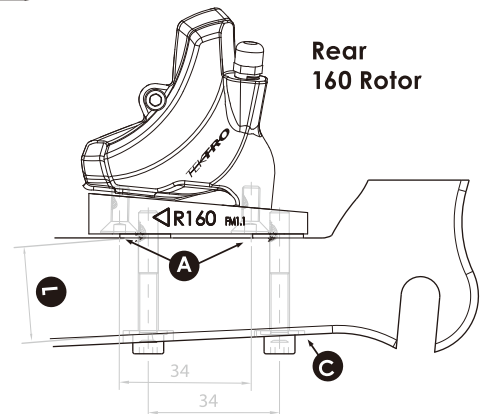
FM1.1 R160 Adapter **F-6**



Front 140 Rotor



Front 160 Rotor



Rear 160 Rotor

Torque spec:
 FlatMount bolts: 5-7 Nm (44-62 in-lb)
 Disc Rotor bolts: 4-6 Nm (35-53 in-lb)

M5 BOLT FOR REAR

Bolt = Fork + 7mm

Fork (L)	10	15	20	25	30	35
Bolt (C)	17mm	22mm	27mm	32mm	37mm	42mm