

INSTALLATION INSTRUCTION

T741R DIRECT MOUNT BRAKE

General Safety Information

WARNING - To avoid serious injuries

- Improper use of your bicycle's brake system may result in loss of control or an accident which could lead to severe injury. Because each bicycle may handle differently, be sure to learn the proper braking technique (including brake lever force and bicycle control characteristics) for your bicycle. Consult your bicycle dealer and/or the bicycle owner's manual and practice your riding and braking technique.

- Securely tighten the caliper brake mounting hardware to the specified torque. When re-installing, apply blue thread retaining compound to the brake mounting bolts threads and tighten to specified torque using a calibrated torque wrench.

- If the mounting bolt(s) become loose, this could cause the brake to work improperly and cause an accident. This is a particular danger with the front wheel as the rider may be thrown forward resulting in serious injury.

- Brakes designed for use as rear brakes should not be used as front brakes and vice versa.

- Read the service instructions carefully prior to installing the brakes. Loose, worn or damaged parts may cause serious injury.

- Be careful not to allow any oil or grease to get onto the brake pads. If the pads become contaminated, they should be replaced and the braking surface of the rims cleaned carefully, otherwise the brakes may not work properly.

- Always make sure the front and rear brakes are working correctly before you ride the bicycle.

- The required stopping distance will be longer in wet conditions. Tires will also skid more easily, which can result in loss of control. Reduce your speed by applying the brakes early and gently.

NOTE:

- If using standard Tektro brake pads in combination with ceramic-coated or carbon fiber rims, the pads will wear more quickly than normal. Pads specifically designed for carbon fiber rim surfaces are available from Tektro/TRP Brakes.

- Pads should be replaced if they have worn to the point that the grooves are no longer visible.

- Parts are not guaranteed against natural wear or deterioration resulting from normal use or crash damage.

- If you are unfamiliar with any element of assembly or maintenance of this brake system, consult a qualified mechanic or contact Tektro / TRP Brakes Customer Service.

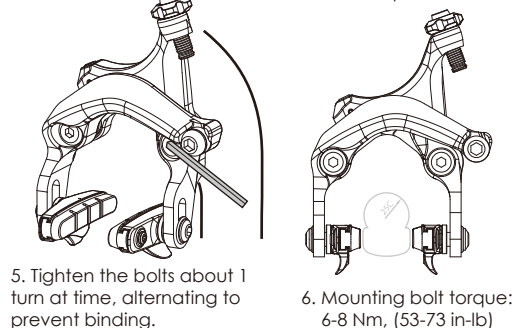
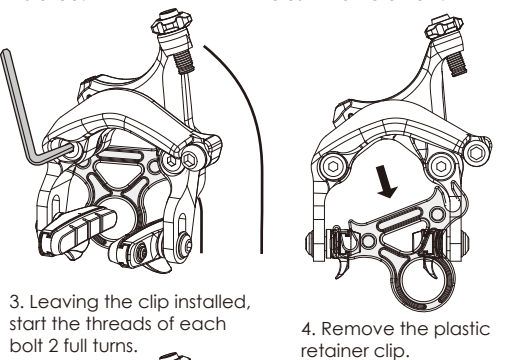
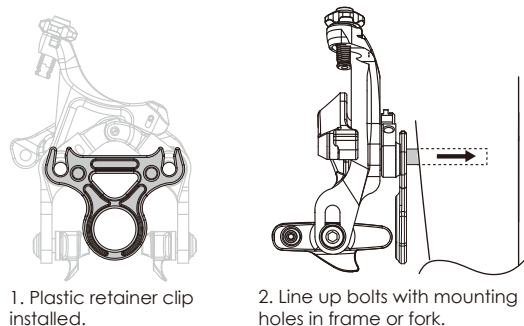
A - TOOLS

- T15 Torx - For mounting bolts
- 5 mm Allen wrench - For cable clamp screw
- 3 mm Allen wrench - For spring adjustment screws
- 4mm Allen wrench - For brake pad adjusting bolts
- 2.5mm Allen wrench - For brake pad retainer screws

B - BRAKE INSTALLATION

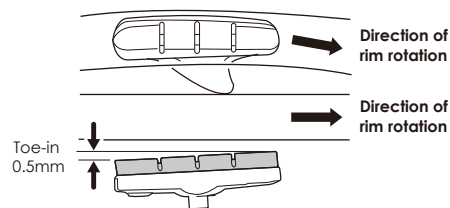
Temporarily fasten the plastic retainer clip if not already installed. Insert bolts into frame mounting holes and thread in 2 full turns. Remove the plastic retainer clip and thread the bolts in fully, alternating between turns to prevent binding.

Mounting Bolt torque : 6-8 Nm

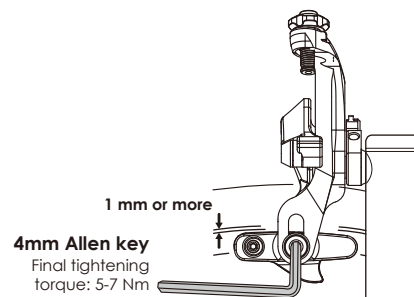


C - BRAKE SHOE SETTING POSITION

Adjust the brake pad position so that the shoe surface aligns with the rim surface as shown in the illustration, tighten the shoe fixing bolt.

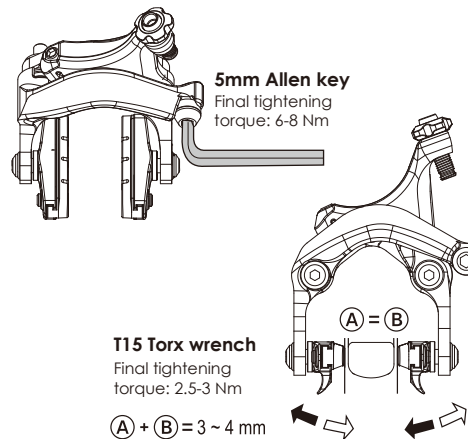


NOTE- TRP road brakes allow the angle of contact between the shoe and the rim (Toe-in) to be adjusted. Adjusting the Toe-in makes it possible to obtain smoother braking operation.



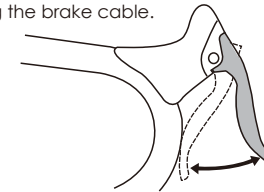
D - CABLE CONNECTION

- Ensure that the cable barrel adjuster is seated in place.
- Using the centering adjustment bolt for minor adjustment. Turn the cable barrel adjuster to readjust the pad clearance.



E - CHECK

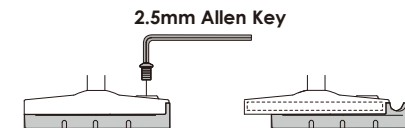
Squeeze the brake lever about 10 times to stretch the cable and seat the housing. Check that the brake is operating correctly and that friction is minimal. Brake pad clearance will probably need to be corrected by re-tightening the brake cable.



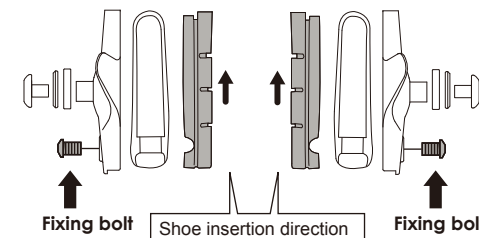
Squeeze the brake lever 10 times.

F- BRAKE PAD REPLACEMENT

Remove the fixing bolt. Remove the pad by sliding it along the groove of the pad holder.



There are two different types of pads and pad holders to be used in the left and right positions. Slide the new pad into the grooves of the pad holder making sure of the direction and fixing bolt hole position relative to the recess in the brake pad.



Tighten the fixing bolt. **Tightening torque: 1-1.5 Nm.**