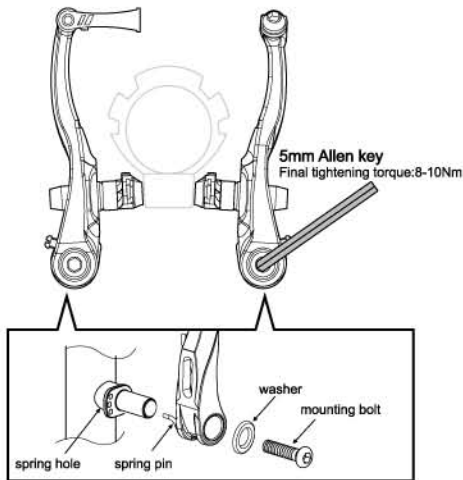


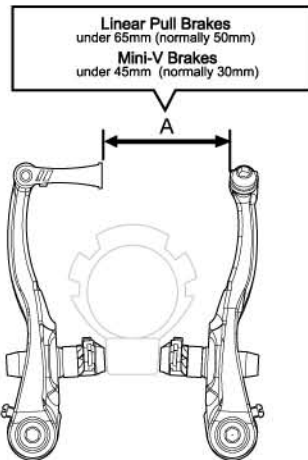
LINEAR PULL BRAKES

For linear spring design brakes

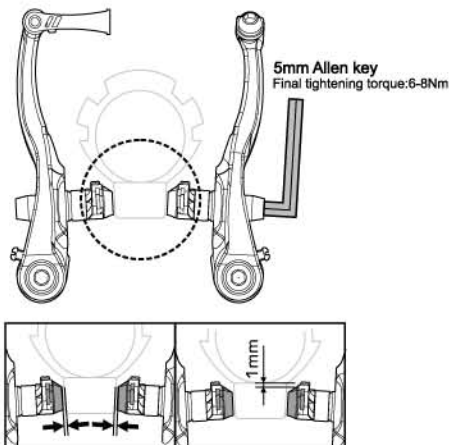
1>Clean and grease fork and stay pivot bosses. Install spring system, brake arm, washer and mounting bolt onto each pivot (plastic Aver Stops, used in shipping will be pushed out). Insert spring-base pin into middle hole of pivot boss. Linear spring should press against linear-spring stops. Please use appropriate mounting bolts: Tektro supplies 2 pairs of bolts, 15mm & 25mm. Many suspension forks require 15mm bolts whereas standard forks should use 25mm bolts. If in doubt, see your suspension fork installation instructions for details. Tighten mounting bolts. Final tightening torque:8-10Nm.



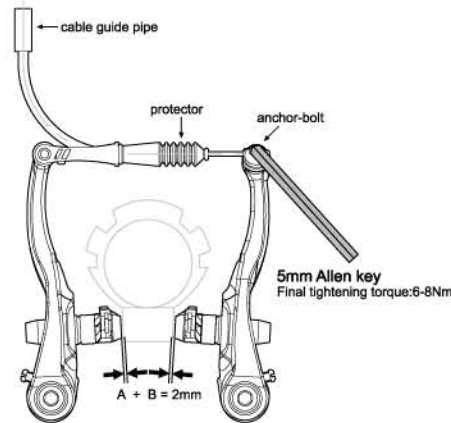
2>With both pads pressed against the wheel rim, ensure that distance-A (in diagram) does not exceed 65mm or 45mm in Mini-V brake. To decrease distance-A, exchange wide and narrow spacers on each brake pad.



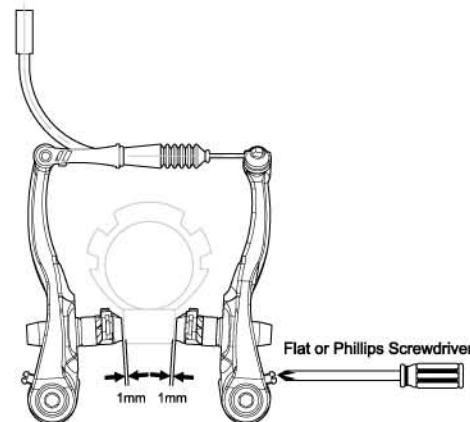
3>Before finally tightening brake pads, make sure they are aligned correctly on the rim, and there is a gap of 1mm between the top of the rim and the top of the pad. Hold each pad against the rim(one at a time) & tighten mounting nut. Final tightening torque: 6-8Nm.



4>Insert cable through cable guide pipe, cable protector and anchor-bolt. Slot cable guide pipe into holder and fit protector over guide pipe end. Set cable in anchor bolt so that combined pad / rim clearance (A+B) is 2mm, then tighten anchor bolt. (If clearance is not 1mm each side, it will be balanced out in step 5). Final tightening torque 6-8Nm. Crimp end-cap onto cable end.



5>Balance brake arms by turning spring-tension adjusters. Depress brake lever a few times while checking to see that tension is equal for both arms. Pad/rim contact should occur at the same time each side. Clearance should be 1mm each side. Do not see tension too high.



6> Readjust pads so they are properly aligned (see Step3), as tension adjustment will probably have altered original pad alignment.

NOTE

1) Cables pass directly from levers, through housing, to cable guide pipes. Use 90° pipe for left-lever/front-brake and right-lever/rear-brake. Use 130° pipe for left-lever/rear-brake and right-lever/front-brake.

2) Ensure that brake levers are properly installed.

3) Spring-tension adjusters require a 2mm Allen wrench(see Step 5). All other bolts require a 5mm Allen wrench.

4) Pad/rim clearance can be further adjusted by turning brake-lever adjusting barrel.

Consult your TEKTRÖ dealer if you are unsure about installation or adjustment.

CAUTION :
TEKTRÖ LINEAR PULL BRAKES MUST BE USED WITH LINEAR PULL BRAKE LEVERS. LINEAR PULL BRAKES OFFER CONSIDERABLE BRAKING POWER WITH LITTLE LEVERAGE FORCE, AND REQUIRE PRACTICE AT LOW SPEEDS BEFORE NORMAL USE. TEKTRÖ IS NOT LIABLE FOR DAMAGE OR INJURY AS A RESULT OF IMPROPER INSTALLATION OR USE.

INSTALLATION INSTRUCTIONS INSTALLATIONS ANLEITUNG INSTRUCTIONS D'INSTALLATION INSTRUCCIONES DE INSTALACIÓN

インストールの手順

LINEAR PULL BRAKES For linear spring design brakes LINEARE ZUG BREMSSEN FREINS À TIRAGE DIRECT FRENOS DE ESTIRAMIENTO LINEAL

リニアプルブレーキ

New features increase safety and overall braking performance. Spring-tension adjusters feature on both left and right spring for excellent, dual, spring-tension adjustment. Brake arms are simply and speedily mounted. Wheel mounting and removal is facilitated by a large brake-arm splay angle.

Neue Eigenschaften erhöhen die Sicherheit und allgemeine Bremsleistung. Mikro-Federspannungsjustierer sind auf den linken und rechten Federbasen aller neuen Modelle angebracht und sorgen für exzellente, duale Federspannungsjustierung. Bremssarme können einfach und schnell angebracht werden. Anbringen und Abnehmen der Räder wird durch einen größeren Spreizwinkel der Bremssarme vereinfacht. Ein einzigartiges Spreizbegrenzungsggerät hindert die Bremssarme daran, die Speichen im Falle von Kabelversagen zu berühren.

Ses nouvelles caractéristiques augmentent la sécurité et les performances de freinage. Les micro ajusteurs de tension situés a la base des ressorts gauche et droite sont caractéristiques des nouveaux modèles à double réglage de tension. Les bras de frein sont facilement et rapidement montés. Le montage et le démontage des roues est facilité par un bras de frein à grand angle évasé. Une fonction unique d'évasion limitation empêche les bras de frein de heurter les rayons dans l'éventualité d'une rupture du câble.

Las nuevas características aumentan la seguridad y el rendimiento de frenaje general. Los ajustadores de micro tensión elástica se caracteriza en ambos bases de resortes de la izquierda y de la derecha de todos los modelos nuevos para el ajuste excelente, dual y de tensión elástica. Los brazos de freno se montan simple y rápidamente. La montura y el traslado de rueda se facilitan con un ángulo de bisel del brazo de freno grande. Un único dispositivo de limitación de ángulo impide que los brazos de freno golpeen los rayos en el caso de la falla de cable.

新しい機能が安全性と全体的なブレーキの性能を高めます。Micro スプリング テンション調整器は新モデルの左右スプリングベースで、優れた二重スプリング テンションの調整機能を発揮します。ブレーキアームは簡単に、すばやく固定できます。ブレーキアームを大きく広げることによって、車輪の設置と取り外しが楽になります。したがって、ケーブルに故障が発生してもスポークをぶつけてブレーキアームはダナーズを与えるてから保護します。

TEKTRÖ
TEKTRÖ TECHNOLOGY CORPORATION

http://www.tekro.com
E-mail:info@tekro.com.tw

Edition-2010.April C1

000907820A